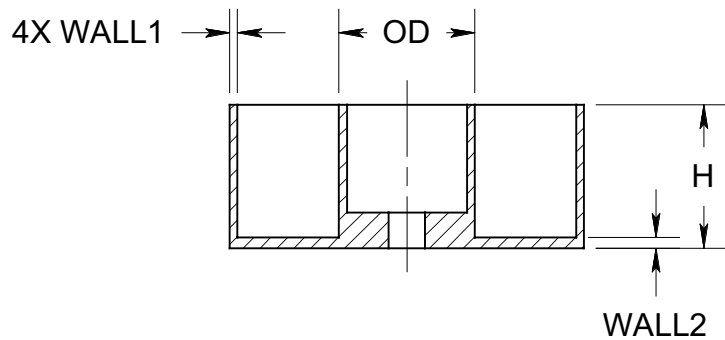


PART NO.	ID	OD	W	L	H	WALL1	WALL2	A	D
72052	.625	.710	1.850	1.850	.750	.040	.055	.190	.562
77032	.410	.490	1.250	1.250	.550	.040	.040	.197	.300
77042	.310	.390	1.500	1.500	.750	.040	.040	.170	.500
77052	.310	.390	2.000	2.000	.750	.040	.040	.170	.500
77062	.310	.390	2.500	2.500	.750	.040	.040	.170	.500



PLASTIC: DAP, BLACK

NOTES: UNLESS OTHERWISE SPECIFIED, ALL DIMENSIONS ARE IN INCHES

Plasmetex Industries, Inc.

SAN MARCOS, CA

ENCAPSULATING CASES

TABLE EC2-1